

## PWM/PFM Automatic Switching Controlled Synchronous DC-DC Converters

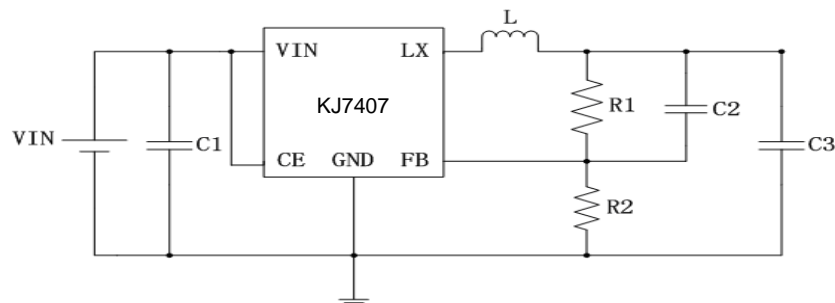
### ■ General Description

KJ7407 series is a group of high efficiency synchronous-rectification type buck regulator using a constant frequency, current mode architecture. The device is available in an adjustable version and fixed output voltages of 1.8V and 3.3V. Automatic PWM/PFM mode operation increases efficiency and decreases output voltage ripple at light loads, further extending battery life. Switching frequency is internally set at 1.4MHz, allowing the use of small surface mount inductors and capacitors. 100% duty cycle provides low dropout operation.

### ■ Features

- High Efficiency: 92%
- Input Voltage Range: 2.0 ~ 6.0V
- Output Current: 800mA
- Shutdown Current: <1uA
- Oscillation Frequency: 1.4MHz

### ■ Typical Application Circuit



### ■ Ordering Information

**KJ7407** ①②③④⑤

Designator	Symbol				Description
①	1	1	3	4	Output Voltage: 1.2V、1.8V、3.3V、4.2V
②	2	8	3	2	Adjustable version: ①② fixed as 00
③	F				Oscillation Frequency 1.4MHz
④	M				Package Types: SOT-23-5
⑤	S				Embossed Tape :Standard Feed
	R				Embossed Tape :Reverse Feed

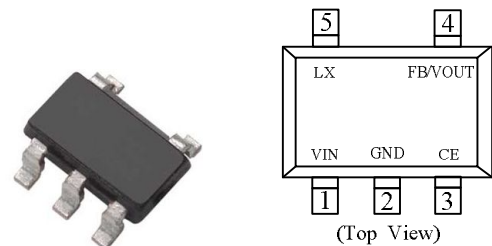
For example: KJ740700FMR said package pins is defined as KJ7407, external feedback, the oscillator frequency of 1.4MHz, Package SOT-23-5, Reverse Feed.

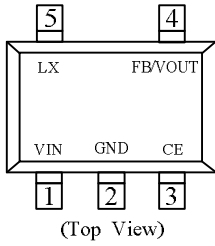
### ■ Applications

- Cellular and Smart Phones
- PDAs
- MP3/MP4 Player
- Digital Still and Video Cameras
- Microprocessors and DSP Core Supplies
- Portable Instruments

### ■ Package

- SOT-23-5

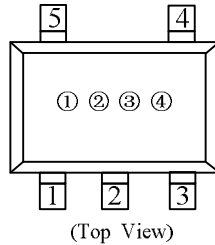


**Functional Pin Description**


Pin Number	Pin Name	Function
1	VIN	Power Input
2	GND	Common Ground
3	CE	Chip Enable Pin
4	FB/VOUT	Feedback/Output Voltage Pin
5	LX	Switching Output

**Marking Rule**

- SOT-23-5



- ① Represents the product name

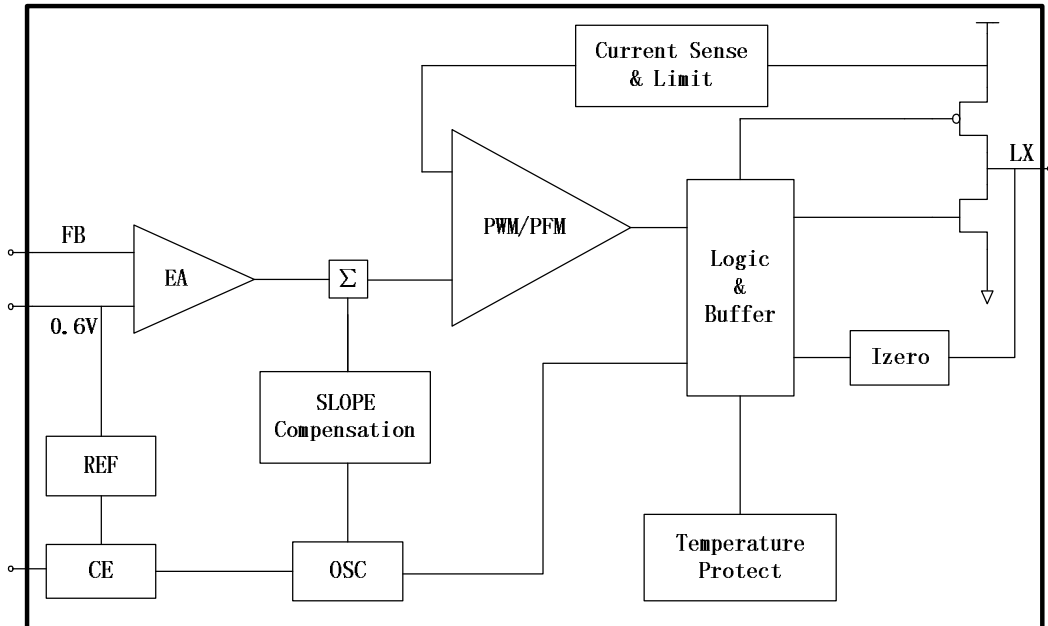
Symbol	Product Name
3	KJ7407◆◆◆◆M◆

- ② ③ Product Classification

Symbol		Number	
②	Feedback mode	0	Adjustive
		2	1.2V
		8	1.8V
		3	3.3V
		4	4.2V
②	Package foot position	7	Represents the foot position of VIN、GND、CE、FB/VOUT、LX

- ④ Represents the assembly lot No.

0-9, A-Z; 0-9, A-Z mirror writing, repeated (G, I, J, O, Q, W exception)

**■ Function Block Diagram**

**■ Absolute Maximum Ratings**

Parameter	Symbol	Ratings	Units
Input Supply Voltage	V <sub>IN</sub>	-0.3~6.5	V
Output Voltage	V <sub>OUT</sub>	-0.3~6.5	
	V <sub>LX</sub>	-0.3~V <sub>IN</sub> + 0.3	
CE Voltage	V <sub>CE</sub>	-0.3~V <sub>IN</sub> + 0.3	V
Peak LX Current	I <sub>LX</sub>	±1000	mA
Power Dissipation	P <sub>D</sub>	250	mW
SOT23-5			
Operating Temperature Range	T <sub>opr</sub>	-40~+85	°C
Storage Temperature Range	T <sub>stg</sub>	-55~+125	

**Note:** Absolute Maximum Ratings are those values beyond which the life of a device may be impaired.

## ■ Electrical Characteristics

 $V_{IN}=3.6V, C_{IN}=4.7\mu F, C_L=10\mu F, L=2.2\mu H$ 
 $(T_a=25^\circ C, \text{ unless otherwise noted})$ 

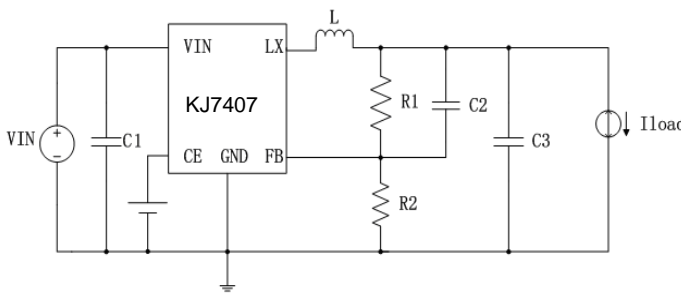
Parameter	Symbol	Conditions	MIN	TYP	MAX	Units	Test Circuits
Feedback Voltage	VFB	-	0.59	0.6	0.61	V	1
Input Voltage Range	V <sub>IN</sub>		2	-	6		
Load regulation	V <sub>OUT</sub>	I <sub>LMAX</sub> =600mA		0.5		%	
Line regulation	ΔV <sub>OUT</sub>	I <sub>L</sub> =300mA		0.45		%	
Efficiency	EFFI	V <sub>IN</sub> =2.7V; I <sub>L</sub> =100mA	-	92	-	%	
CE "Low" voltage	V <sub>CEL</sub>	-	1.8			V	
CE "High" voltage	V <sub>CEH</sub>	-			1.4	V	
Stand-by Current	I <sub>STB</sub>	V <sub>CE</sub> =0V, V <sub>IN</sub> =3.6V	0	-	1	μA	3
Quiescent Current	I <sub>DD</sub>	V <sub>FB</sub> =0.6V*0.9	-	200	-		
Output Current Limit	I <sub>LIM</sub>	-	-	1200	-	mA	
PFM switching point	I <sub>L</sub>	V <sub>IN</sub> =3.6V, V <sub>OUT</sub> =1.8V		150		mA	
Oscillation Frequency	F <sub>OSC</sub>		-	1.4	-	MHz	2
Maximum Duty Circle	MAXDTY	-	100	-	-	%	

## ■ Test Circuits

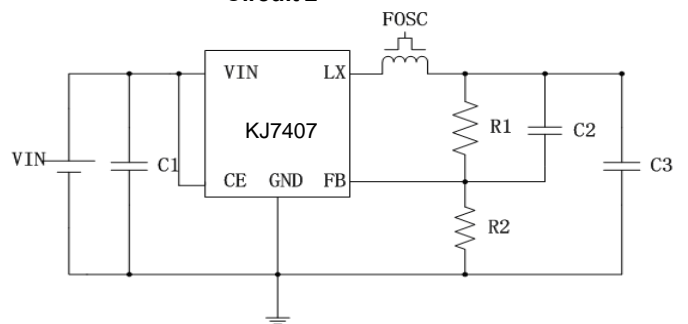
Parameters: L<sub>X</sub>=2.2μH, C<sub>1</sub>=4.7μF, C<sub>2</sub>=22pF, C<sub>3</sub>=10μF.

According to the required output voltage regulate R<sub>1</sub>, R<sub>2</sub>, so V<sub>FB</sub> = 0.6V.

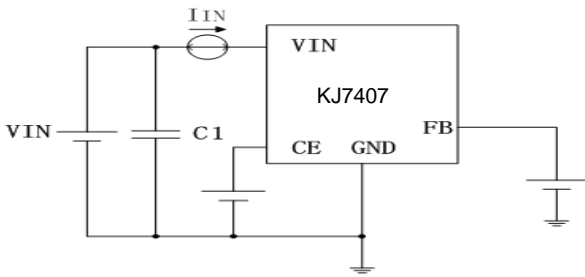
**Circuit 1**



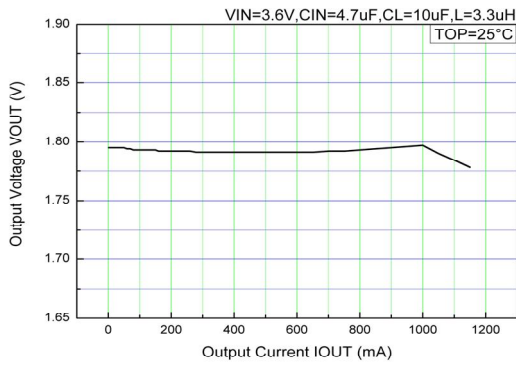
**Circuit 2**



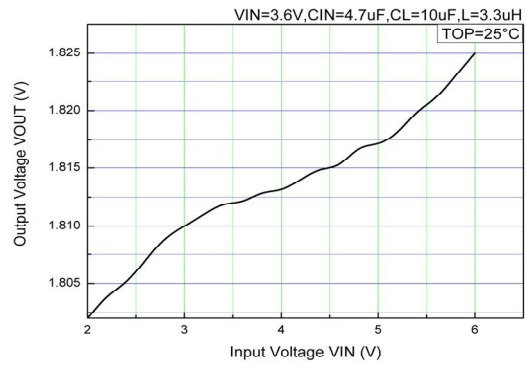
**Circuit3**



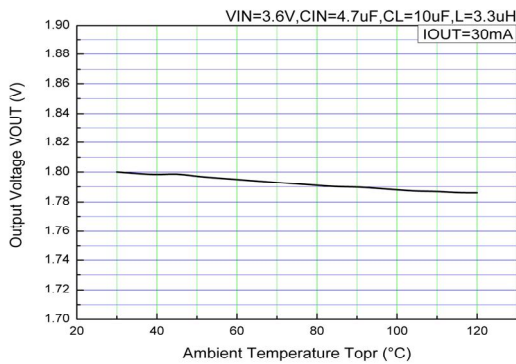
■ Typical Performance Characteristics



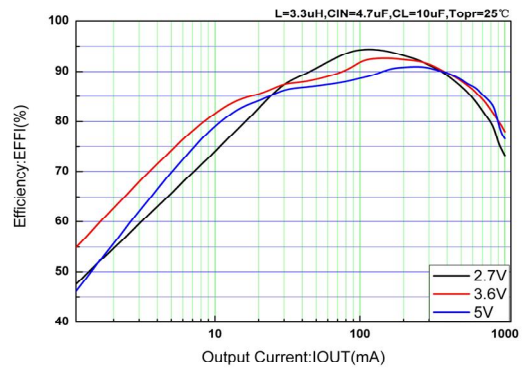
Output voltage vs output current



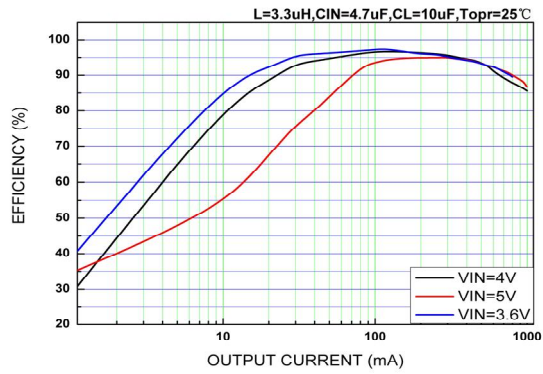
Input voltage vs output voltage



Output voltage vs Temperature



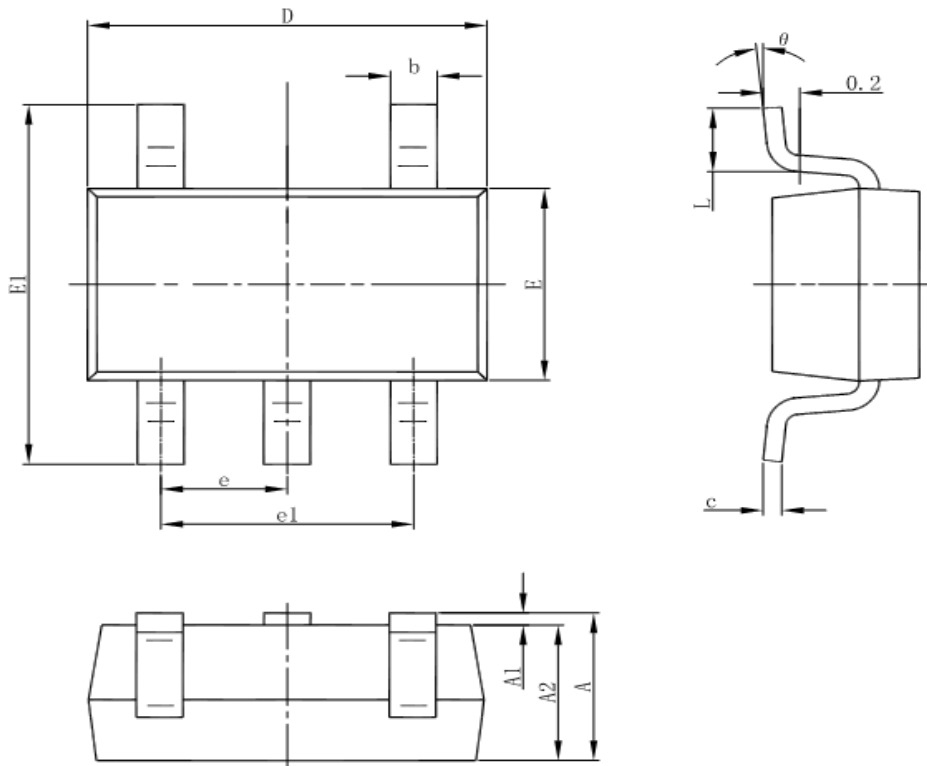
1.8V Efficiency vs output current



3.3V Efficiency vs output current

■ Package Information

- SOT-23-5L



Symbol	Dimensions In Millimeters		Dimensions In Inches	
	Min	Max	Min	Max
A	1.050	1.250	0.041	0.049
A1	0.000	0.100	0.000	0.004
A2	1.050	1.150	0.041	0.045
b	0.300	0.500	0.012	0.020
c	0.100	0.200	0.004	0.008
D	2.820	3.020	0.111	0.119
E	1.500	1.700	0.059	0.067
E1	2.650	2.950	0.104	0.116
e	0.950(BSC)		0.037(BSC)	
e1	1.800	2.000	0.071	0.079
L	0.300	0.600	0.012	0.024
$\theta$	0°	8°	0°	8°