

300mA Low Dropout CMOS Voltage Regulators

■ General Description

The KJ6234 series are highly precise, low noise, positive voltage LDO regulators manufactured using CMOS processes. The series achieves high ripple rejection and low dropout and consists of a standard voltage source, an error correction, current limiter and a phase compensation circuit plus a driver transistor. Output voltage is selectable in 50mV increments within a range of 0.85V ~ 1.8V. The series is also compatible with low ESR ceramic capacitors which give added output stability. This stability can be maintained even during load fluctuations due to the excellent transient response of the series.

The current limiter's feedback circuit also operates as a short protect for the output current limiter and the output pin. The CE function enables the output to be turned off, resulting in greatly reduced power consumption.

■ Applications

- Mobile phones
- Cordless phones
- Modem
- Portable games

■ Ordering Information

KJ6234 ①②③④⑤⑥

Designator	Symbol	Description	Designator	Symbol	Description
①		CE Pin Logic	④	A	Output Voltage : 50mV increments e.g. ②=1,③=5,④=A ⇒ 1.55V
	A	Active 'High' (pull-down resistor built in)			
	B	Active 'High' (no pull-down resistor built in)	⑤	M	SOT-23-5L
	C	Active 'Low' (pull-up resistor built in)		K	SOT-353
	D	Active 'Low' (no pull-up resistor built in)			Device Orientation
② ③	08-18	Output Voltage: eg ②=1,③=5 ⇒ 1.5V	⑥	R	Embossed Tape : Standard Feed
④	2	Output Voltage : 100mV increments eg.②=1,③=5,④=2 ⇒ 1.5V		L	Embossed Tape : Reverse Feed

- Portable AV equipment
- Reference voltage
- Battery powered equipment
- PCMCIA cards

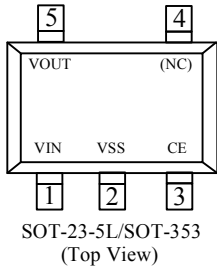
■ Features

- Output Voltage Range: 0.85V to 1.8V (selectable in 50mV steps)
- Highly Accurate : ± 2% (less than 1.5V is ±30mV)
- Dropout Voltage : 300mV @ 100mA (1.5V type)
- High Ripple Rejection: 60dB (10kHz)
- Low Power Consumption: 50µA (TYP.)
- Maximum Output Current : 300mA ($V_{IN} \geq 2.5V$)
- Standby Current : less than 0.1µA
- Internal protector: current limiter and short protector
- Small packages: SOT-23-5, SOT-353 and other

■ Package

- SOT-23-5L
- SOT-353

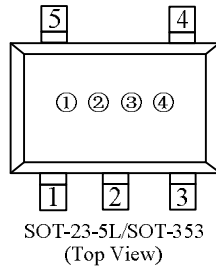
Pin Configuration



Pin Number	Pin Name	Function Description
SOT-23-5L/SOT-353		
1	VIN	Power Supply
2	VSS	Ground
3	CE	Chip Enable
4	NC	Not connect
5	VOUT	Output Pin

Marking Rule

- SOT-23-5L, SOT-353



- ① Represents the product name

Symbol	Product Name
4	KJ6234◆◆◆◆◆◆◆◆

- ② Represents the range of output voltage

Voltage(V)	0.8~1.8	0.85~1.75	Product Name
Symbol	V	A	KJ6234A◆◆◆◆◆◆◆◆
	X	B	KJ6234B◆◆◆◆◆◆◆◆
	Y	C	KJ6234C◆◆◆◆◆◆◆◆
	Z	D	KJ6234D◆◆◆◆◆◆◆◆

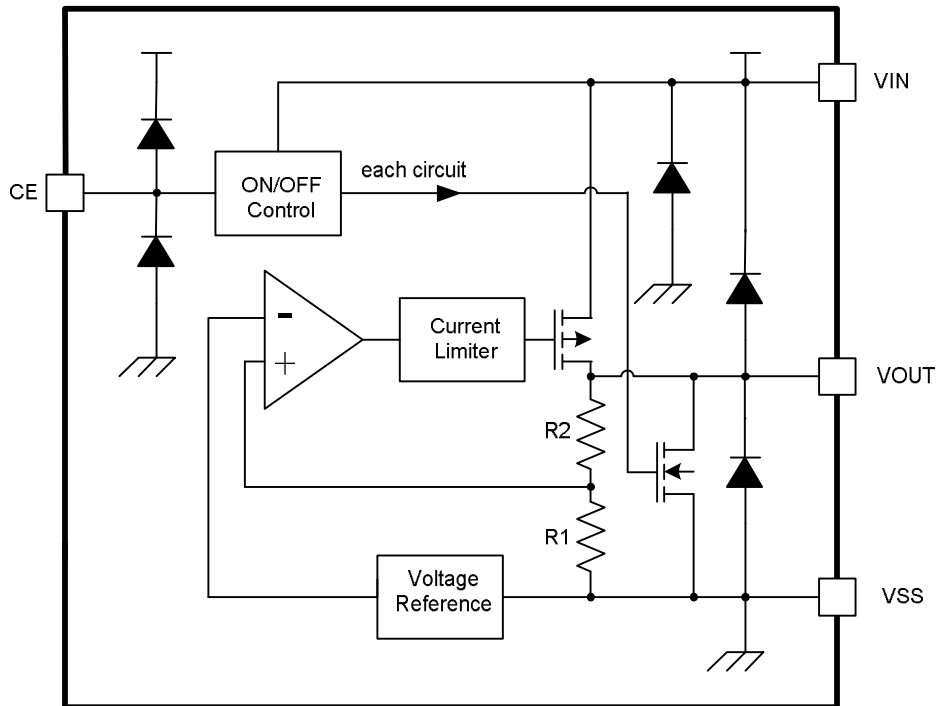
- ③ Represents the Output Voltage

Symbol	Output Voltage (V)	
7	0.8	0.85
8	0.9	0.95
9	1.0	1.05
A	1.1	1.15
B	1.2	1.25
C	1.3	1.35

Symbol	Output Voltage (V)	
D	1.4	1.45
E	1.5	1.55
F	1.6	1.65
H	1.7	1.75
K	1.8	

- ④ Represents the assembly lot no.

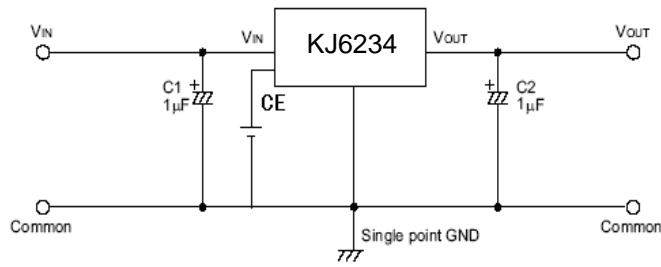
0 to 9, A to Z, reversed character of 0 to 9 and A to Z repeated(G,I,J,O,Q W excepted)

■ Function Block Diagram

■ Absolute Maximum Ratings

Parameter	Symbol	Maximum Rating		Unit
Input Voltage	V_{IN}	$V_{SS}-0.3 \sim V_{SS}+5$		V
	$V_{ON/OFF}$	$V_{SS}-0.3 \sim V_{IN}+0.3$		
Output Current	V_{OUT}	$V_{SS}-0.3 \sim V_{IN}+0.3$		
Power Dissipation	P_D	SOT-23-5	250	mW
		SOT-353	250	
Operating Ambient Temperature	T_{opr}	-40 ~ +85		°C
Storage Temperature	T_{stg}	-40 ~ +125		

Caution: The absolute maximum ratings are rated values exceeding which the product could suffer physical damage. These values must therefore not be exceeded under any conditions.

■ Typical Application Circuit



Caution: The above connection diagram and constant will not guarantee successful operation. Perform thorough evaluation using the actual application to set the constant.

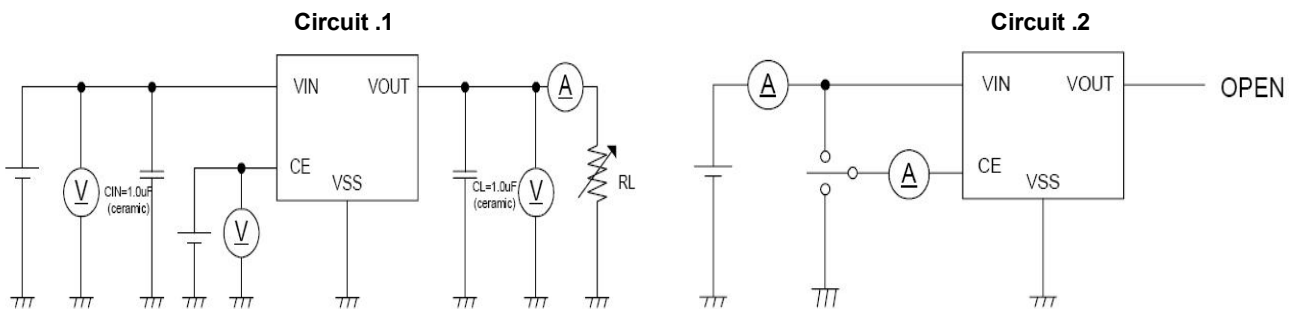
■ Application Conditions

Input capacitor (CIN): 1.0µF or more

Output capacitor (CL): 1.0µF or more (tantalum capacitor)

Caution A general series regulator may oscillate, depending on the external components selected. Check that no oscillation occurs with the application using the above capacitor.

■ Test Circuits

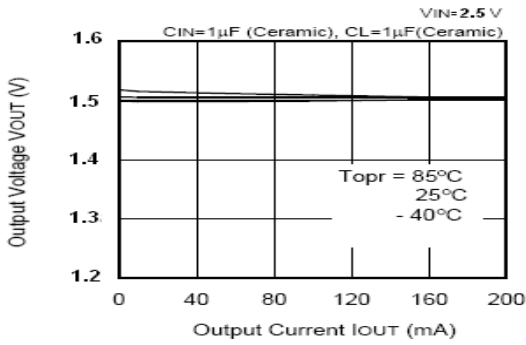


■ Electrical Characteristics

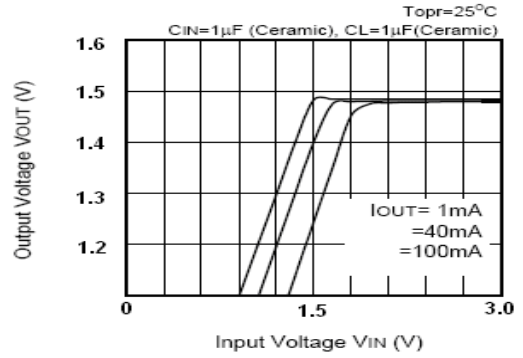
Parameter	Symbol	Condition	Min	Typ	Max	Unit	Circuit
Output Voltage	$V_{OUT(E)}$	$V_{IN} = V_{OUT(S)} + 1.0 \text{ V}$, $I_{OUT} = 30 \text{ mA}$	$V_{OUT(S)} \times 0.98$	$V_{OUT(S)}$	$V_{OUT(S)} \times 1.02$	V	1
Output Current	I_{OUT}	$V_{IN} \geq V_{OUT(S)} + 1.0 \text{ V}$	300	—	—	mA	1
Dropout Voltage	V_{drop}	$I_{OUT} = 50 \text{ mA}$	—	0.12	0.20	V	1
		$I_{OUT} = 100 \text{ mA}$	—	0.30	0.45		
Line Regulations	$\frac{\Delta V_{OUT1}}{\Delta V_{IN} \cdot V_{OUT}}$	$V_{OUT(S)} + 0.5 \text{ V} \leq V_{IN} \leq 7 \text{ V}$ $I_{OUT} = 30 \text{ mA}$	—	0.10	0.20	%/V	
Load Regulation	ΔV_{OUT2}	$V_{IN} = V_{OUT(S)} + 1.0 \text{ V}$ $1.0 \text{ mA} \leq I_{OUT} \leq 100 \text{ mA}$	—	50	100	mV	
Output Voltage Temperature Characteristics	$\frac{\Delta V_{OUT}}{\Delta T_a \cdot V_{OUT}}$	$V_{IN} = V_{OUT(S)} + 1.0 \text{ V}$, $I_{OUT} = 10 \text{ mA}$ $-40^\circ\text{C} \leq T_a \leq 85^\circ\text{C}$	—	± 100	—	ppm/ $^\circ\text{C}$	
Supply Current	I_{SS1}	$V_{IN} = V_{OUT(S)} + 1.0 \text{ V}$	—	50	—	μA	2
Input Voltage	V_{IN}	—	1.8	—	5	V	—
Ripple-Rejection	PSRR	$V_{IN} = V_{OUT(S)} + 1.0 \text{ V}$, $f = 10 \text{ kHz}$ $V_{rip} = 0.5 \text{ V}_{rms}$, $I_{OUT} = 50 \text{ mA}$	—	60	—	dB	1
Short-circuit Current	I_{short}	$V_{IN} = V_{OUT(S)} + 1.0 \text{ V}$, V_{CE} on $V_{OUT} = \text{gnd}$	—	60	—	mA	1
CE "High" Voltage	V_{CEH}		1.2			V	1
CE "Low" Voltage	V_{CEL}				0.3	V	1
CE "High" Current	I_{CEH}	$V_{IN} = V_{CE} = V_{OUT(T)} + 1.0 \text{ V}$	-0.1		0.1	μA	2
CE "Low" Current	I_{CEL}	$V_{IN} = V_{OUT(T)} + 1.0 \text{ V}$, $V_{CE} = V_{SS}$	-0.1		0.1	μA	2

■ Typical Performance Characteristics(output voltage=0.3V)

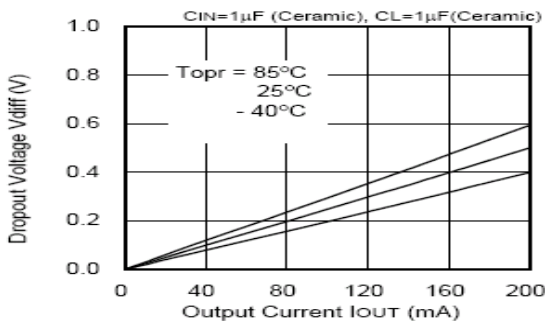
1、 Output Voltage vs. Output Current



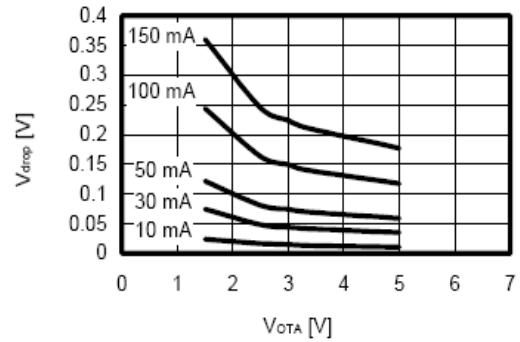
2、 Output Voltage vs. Input Voltage (Contd.)



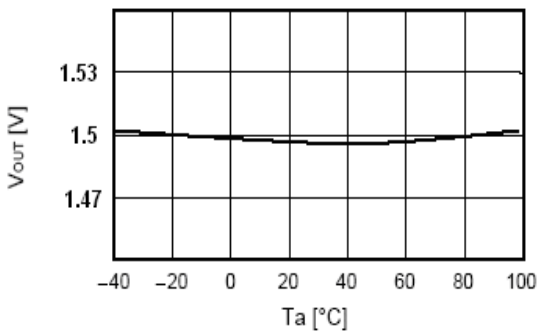
3、 Dropout Voltage vs. Output Current



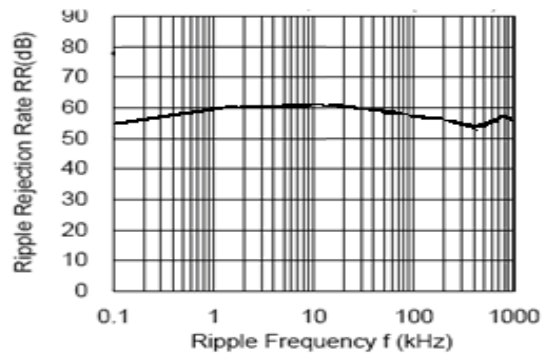
4、 Dropout Voltage vs. Output Voltage



5、 Output Voltage vs. Ambient Temperature



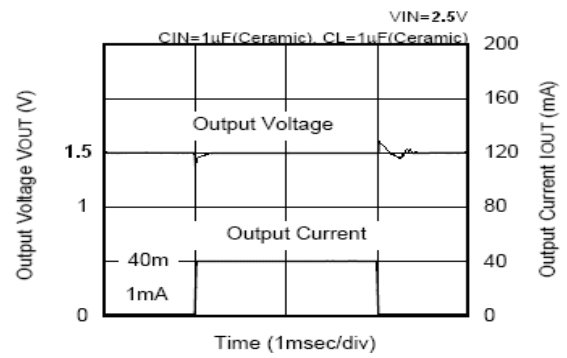
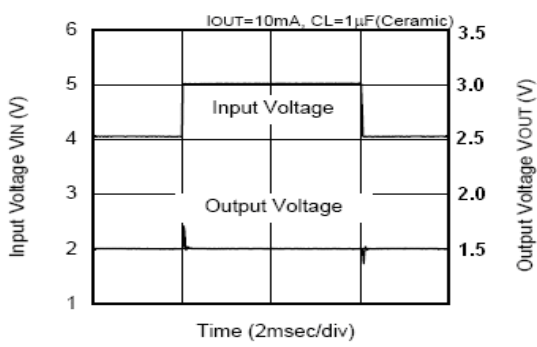
6、 Ripple Rejection Rate



7、 Transient Response

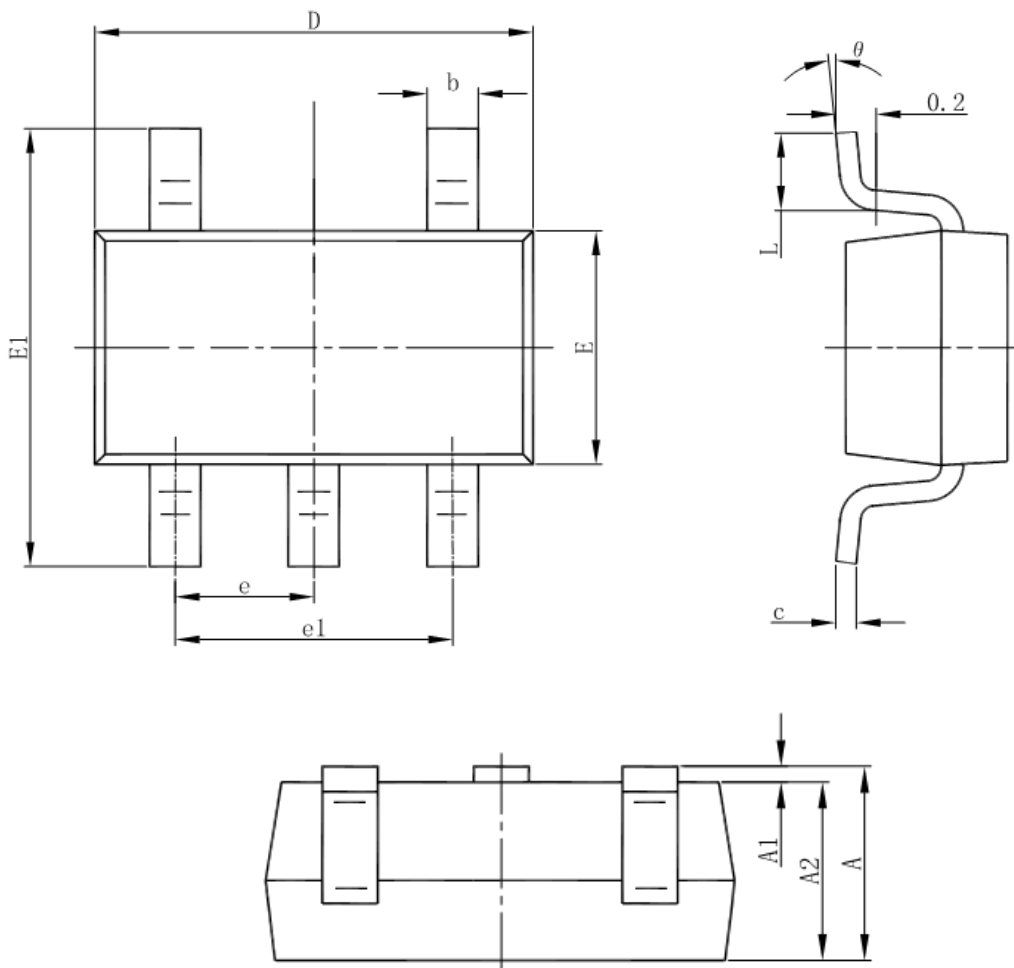
Input Transient Response

Load Transient Response



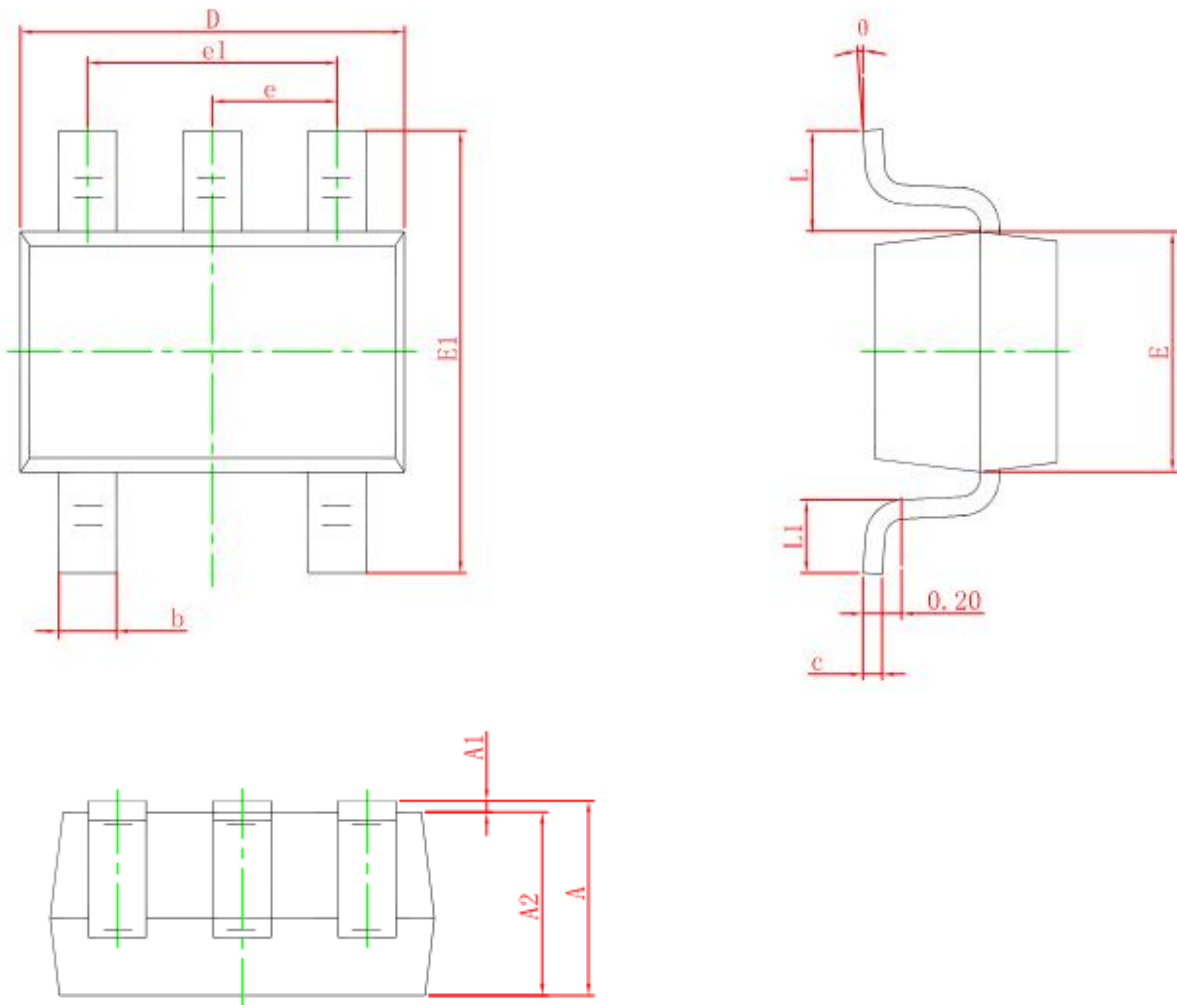
■ Package Information

- SOT-23-5L



Symbol	Dimensions In Millimeters		Dimensions In Inches	
	Min	Max	Min	Max
A	1.050	1.250	0.041	0.049
A1	0.000	0.100	0.000	0.004
A2	1.050	1.150	0.041	0.045
b	0.300	0.500	0.012	0.020
c	0.100	0.200	0.004	0.008
D	2.820	3.020	0.111	0.119
E	1.500	1.700	0.059	0.067
E1	2.650	2.950	0.104	0.116
e	0.950(BSC)		0.037(BSC)	
e1	1.800	2.000	0.071	0.079
L	0.300	0.600	0.012	0.024
θ	0°	8°	0°	8°

- SOT-353



Symbol	Dimensions In Millimeters		Dimensions In Inches	
	Min	Max	Min	Max
A	0.900	1.100	0.035	0.043
A1	0.000	0.100	0.000	0.004
A2	0.900	1.000	0.035	0.039
b	0.150	0.350	0.006	0.014
c	0.080	0.150	0.003	0.006
D	2.000	2.200	0.079	0.087
E	1.150	1.350	0.045	0.053
E1	2.150	2.450	0.085	0.096
e	0.650 TYP		0.026 TYP	
e1	1.200	1.400	0.047	0.055
L	0.525 REF		0.021 REF	
L1	0.260	0.460	0.010	0.018
θ	0°	8°	0°	8°